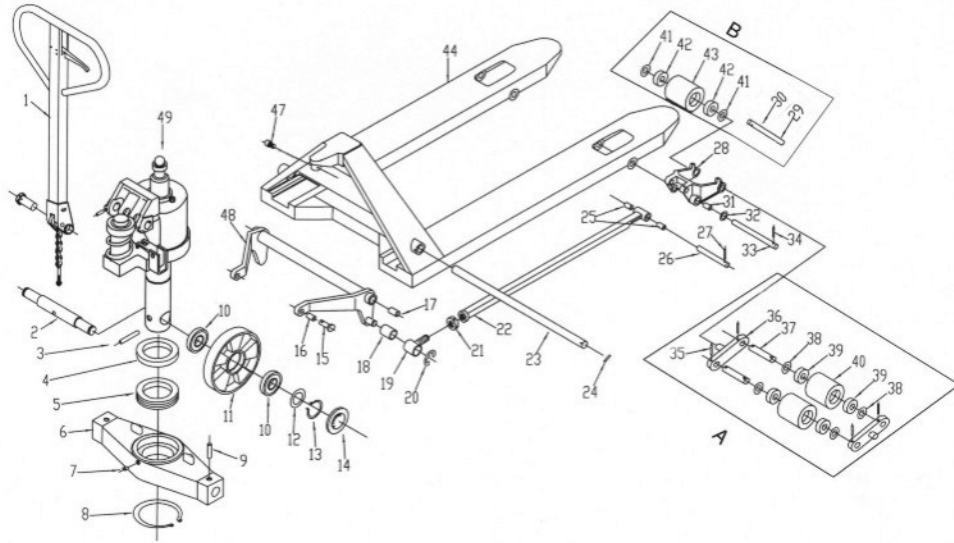
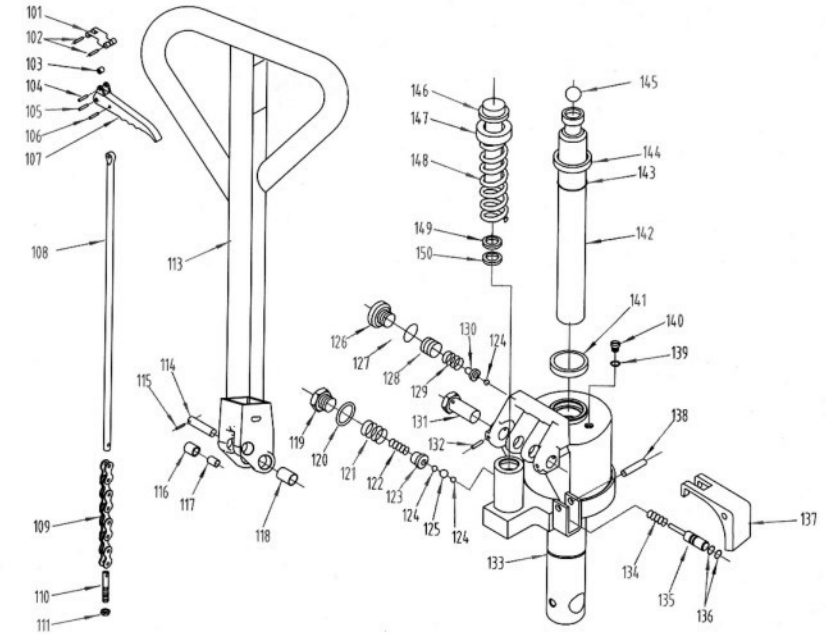


Spare Parts of Hand Pallet Truck



| N.O. | Description | Quantity | N.O. | Description | Quantity | N.O. | Description | Quantity | N.O. | Description | Quantity |
|------|-------------------------------|----------|------|------------------------------|----------|------|------------------------------|----------|------|----------------------|----------|
| 1 | Handle Assembly | 1 | 14 | Wheel Cap | 2 | 27 | Spine Pin $\phi 5 \times 30$ | 2 | 40 | Loading Wheel | 4 |
| 2 | Wheel Shaft | 1 | 15 | Base Pin | 2 | 28 | Wheel Bracket | 2 | 41 | Washer $\phi 20$ | 4 |
| 3 | Spring Pin $\phi 8 \times 45$ | 1 | 16 | Bushing | 2 | 29 | Spine Pin $\phi 5 \times 30$ | 2 | 42 | Bearing 6204 | 4 |
| 4 | Washer | 1 | 17 | Bushing | 2 | 30 | Axle | 2 | 43 | Single Loading Wheel | 2 |
| 5 | Bearing | 1 | 18 | Bushing | 2 | 31 | Bushing | 4 | 44 | Fork | 1 |
| 6 | Base | 1 | 19 | Rod End $M20 \times 1.5$ | 2 | 32 | Washer $\phi 20$ | 4 | 47 | Hex Bolts | 1 |
| 7 | Nipple | 1 | 20 | Snap Ring $\phi 19$ | 2 | 33 | Shaft | 2 | 48 | Rocker Arm | 1 |
| 8 | Snap Ring $\phi 44$ | 1 | 21 | Screw Nut $M20 \times 1.5$ | 2 | 34 | Spine Pin $\phi 5 \times 30$ | 2 | 49 | Pump Assembly | 1 |
| 9 | Spring Pin $\phi 6 \times 35$ | 1 | 22 | Push Rod | 2 | 35 | Spine Pin $\phi 4 \times 30$ | 8 | A | Tandem Loading Wheel | 1 |
| 10 | Bearing 6204 | 4 | 23 | Rocker Shaft | 1 | 36 | Balance Arm | 4 | B | Single Loading Wheel | 1 |
| 11 | Steering Wheel | 2 | 24 | Spine Pin $\phi 6 \times 35$ | 1 | 37 | Axle | 4 | | | |
| 12 | Washer $\phi 20$ | 1 | 25 | Bushing | 4 | 38 | Washer $\phi 20$ | 8 | | | |
| 13 | Snap Ring $\phi 20$ | 2 | 26 | Push Axis | 2 | 39 | Bearing 6204 | 8 | | | |

Spare Parts of Hand Pallet Truck



| N.O. | Description | Quantity | N.O. | Description | Quantity | N.O. | Description | Quantity | N.O. | Description | Quantity |
|------|-------------------------------|----------|------|-------------------------------|----------|------|-------------------------------|----------|------|----------------------|----------|
| 101 | Spring Plate | 1 | 115 | Spring Pin $\phi 3 \times 28$ | 1 | 128 | Screw $M1 \times 1.5$ | 1 | 141 | Y-Ring | 1 |
| 102 | Spring Pin $\phi 4 \times 50$ | 2 | 116 | Roller | 1 | 129 | Pressure Spring | 1 | 142 | Piston Rod | 1 |
| 103 | Small Wheel | 1 | 117 | Bushing | 1 | 130 | Spring Base | 1 | 143 | O-Ring | 1 |
| 104 | Spring Pin $\phi 4 \times 30$ | 1 | 118 | Bushing | 2 | 131 | Handle Pin | 2 | 144 | Seal | 1 |
| 105 | Spring Pin $\phi 6 \times 30$ | 1 | 119 | Plug $M1 \times 1.5$ | 1 | 132 | Spring Pin $\phi 3 \times 20$ | 2 | 145 | Steel Ball $\phi 14$ | 1 |
| 106 | Spring Pin $\phi 4 \times 12$ | 1 | 120 | Washer | 1 | 133 | Pump | 1 | 146 | Plunger | 1 |
| 107 | Control Lever | 1 | 121 | Spring | 1 | 134 | Oil Spring | 1 | 147 | Spring Cap | 1 |
| 108 | Rod | 1 | 122 | Spring | 1 | 135 | Oil Rod | 1 | 148 | Spring | 1 |
| 109 | Chain 06B | 1 | 123 | Valve Bushing | 1 | 136 | O-Ring | 2 | 149 | Y-Ring | 1 |
| 110 | Bolt M8 | 1 | 124 | Steel Ball $\phi 6$ | 3 | 137 | Rocker | 1 | 150 | Seal | 1 |
| 111 | Screw Nut M8 | 1 | 125 | Steel Ball $\phi 9$ | 1 | 138 | Spring Pin $\phi 8 \times 25$ | 1 | | | |
| 113 | Handle | 1 | 126 | Plug $M1 \times 1.5$ | 1 | 139 | O-Ring | 1 | | | |
| 114 | Shaft | 1 | 127 | O-Ring | 1 | 140 | Screw M8 | 1 | | | |