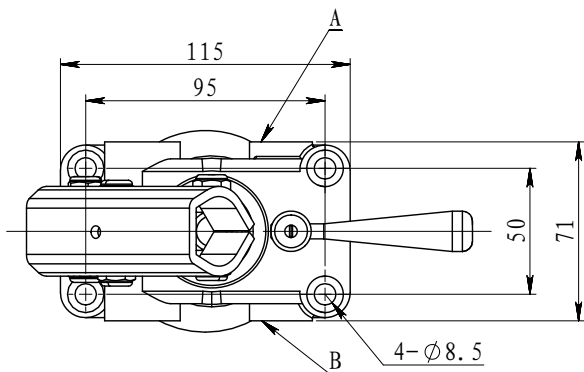
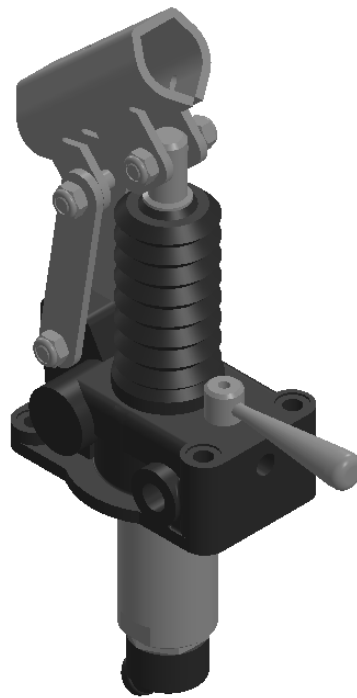
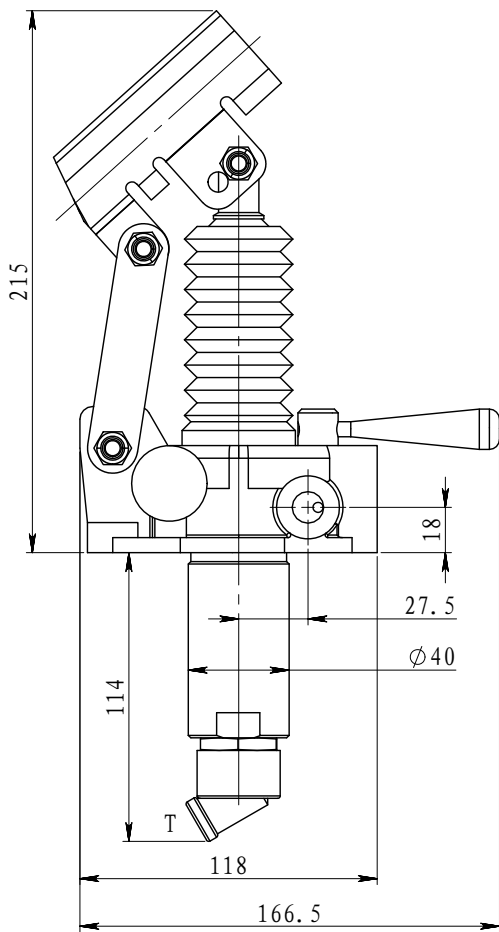
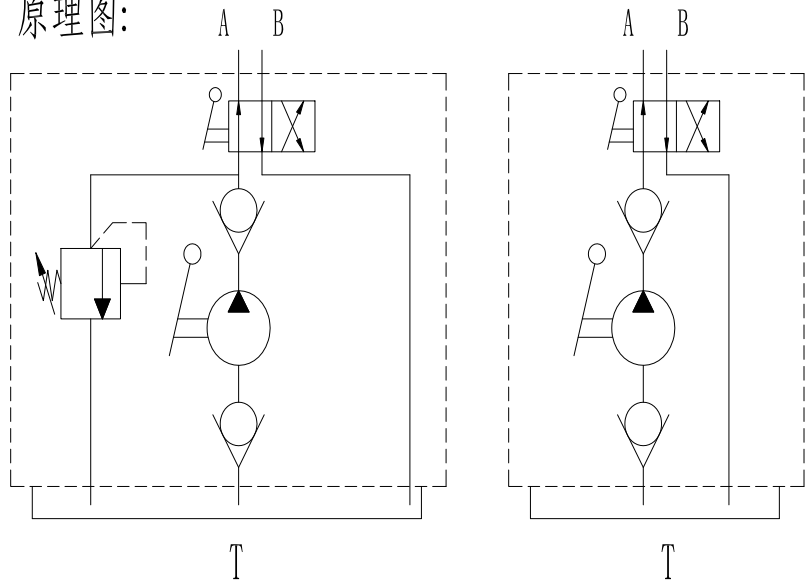


25CC/45CC



原理图:



25CC/45CC

Double Hand Pump
300bar Max. Working
Pressure

Flow
25CC Hand Pump
UP 13.4 CM³
DOWN 11.6 CM³

Oil Tank: 2L-16L

Specifications

-30 C +110 C (NBR) °
Temperature

45CC Hand Pump
UP 23.7 CM³
DOWN 21.3 CM³