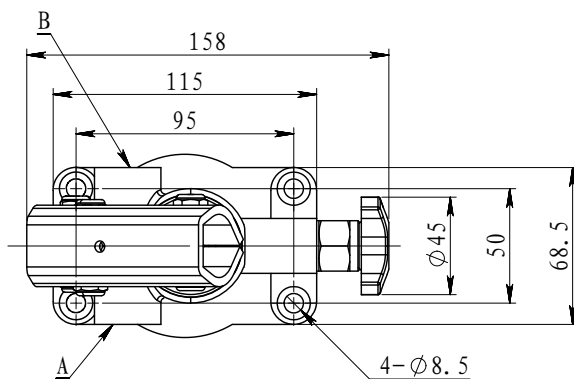
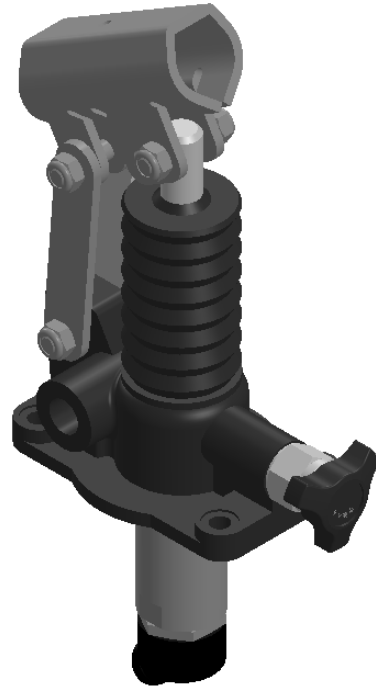
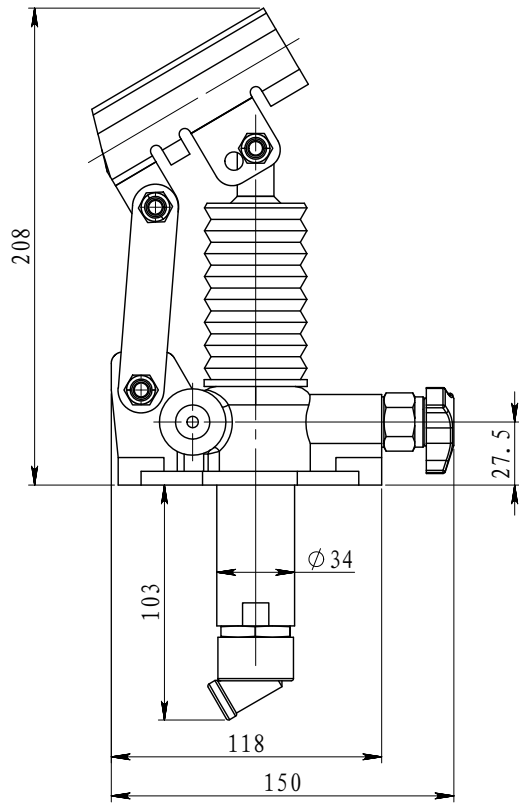
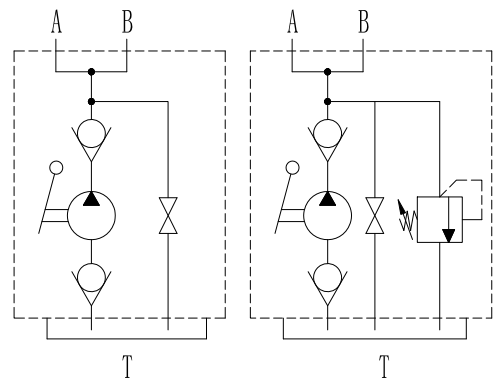


25CC/45CC



原理图:



25CC/45CC

Single Hand Pump

300bar Max. Working Pressure

Flow

25CC Hand Pump

UP 13.4 CM³

DOWN 11.6 CM³

Oil Tank: 2L-16L

Specifications

-30 C +110 C (NBR) °
Temperature

45CC Hand Pump

UP 23.7 CM³

DOWN 21.3 CM³